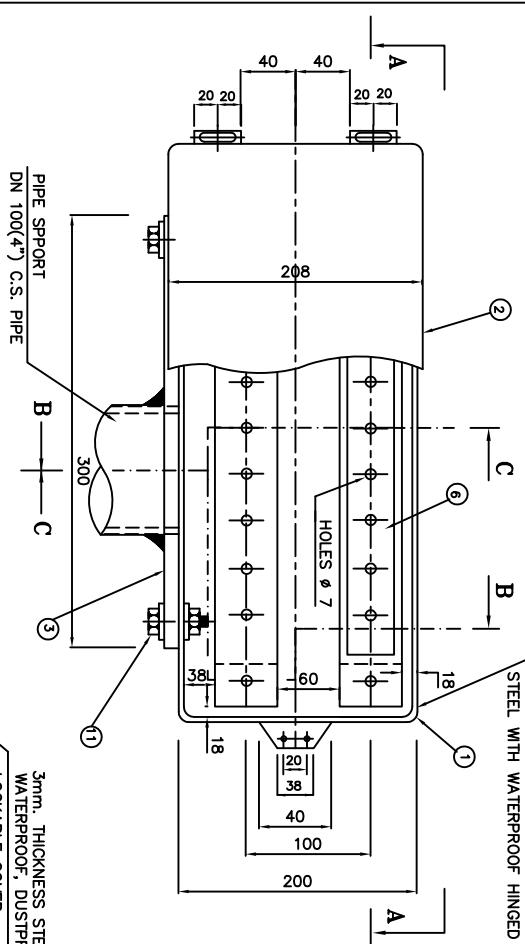


# NOTES

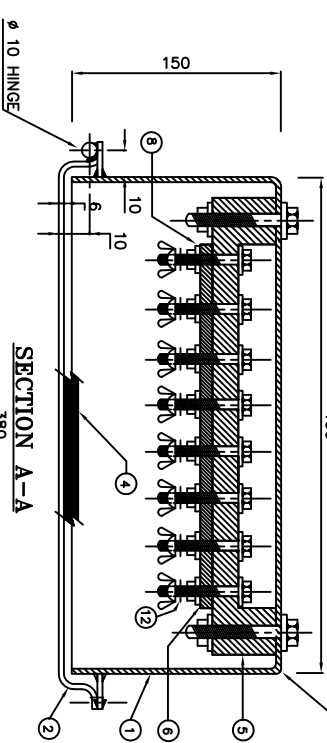
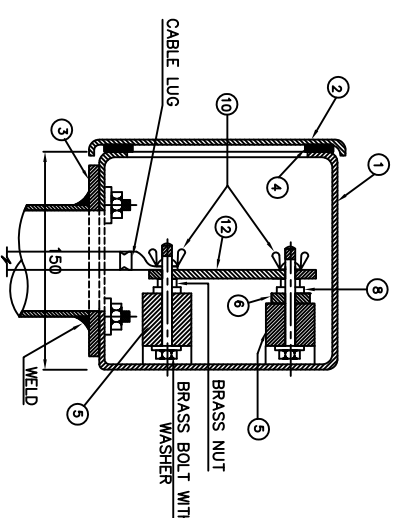
- 1- ALL DIMENSIONS ARE IN mm. UNLESS OTHERWISE NOTED.
- 2- "A" IS EQUAL TO 37mm. FOR UPPER BAKELITE STRIP AND 40mm. FOR LOWER.
- 3- AFTER ASSEMBLY OF TEST BOX TO MOUNTING PIPE AND PRIOR TO INSTALLATION ALL STEEL PARTS SHALL BE PAINTED WITH THE FOLLOWING PROCEDURE:
  - A) SURFACE PREPARATION TO SA 2 1/2
  - B) ONE RED LEAD PRIMER (70 MICRONS) TO IPS-M-TP-115
  - C) ONE INTERMEDIATE COAT OF ALKYD PAINT (100 MICRONS) TO IPS-M-TP-130.
  - D) ONE FINISHING COAT OF ALKYD GLOSSY YELLOW COLOR PAINT (100 MICRONS) TO IPS-M-TP-130. COLOR TO BS 381C, No. 309. (TOTAL THICKNESS OF PAINTING 270 MICRONS AT LEAST).
- 4- ALTERNATIVE INTERNAL FITTINGS MAY BE SUPPLIED, SUBJECT TO APPROVAL.
- 5- THE PIPE SUPPORT SHALL NOT BE SUPPLIED BY THE BOX MANUFACTURER.
- 6- THIS TEST BOX IS TO BE USED MAINLY AS POSITIVE BOND BOX FOR DEEPWELL GROUND BEDS.

ITEM	MATERIALS	QTY.	SPECIFICATION
1	BOX	1	GALVANIZED STEEL
2	COVER	1	GALVANIZED STEEL
3	BOTTOM PLATE 300x130x5mm.	1	MILD STEEL
4	NEOPRENE GASKET	1	
5	BAKELITE STRIP	2	AS PER NOTE 2
6	COPPER STRIP	1	300x30x3mm.
7	M8x60 BOLT WITH WASHERS AND NUT	4	GALVANIZED
8	SPRING WASHER	20	
9	M8x50 BOLT WITH WASHERS AND NUT	16	BRASS
10	WING NUT	16	BRASS
11	M8x30 BOLT WITH WASHERS AND NUT	4	
12	COPPER LINK	8	120x20x2mm.

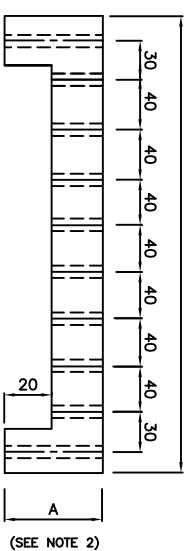
BOX TO BE 400mm.x200mm. CLEAR OPENING BY 150mm. DEEP CONSTRUCTED OF 3mm. THICKNESS GALVANIZED STEEL WITH WATERPROOF HINGED COVER



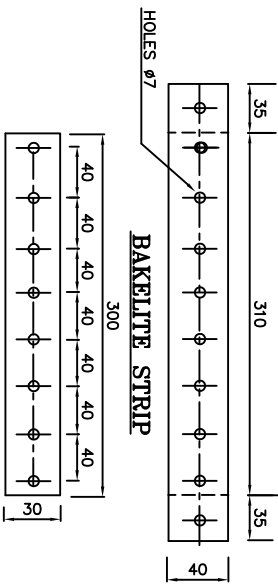
SECTION C-C



SECTION A-A



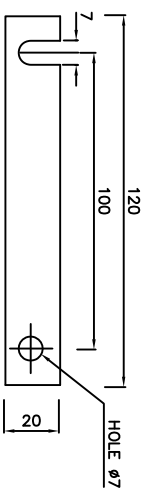
SECTION B-B



BAKELITE STRIP

COPPER STRIP 3mm. THICKNESS

TO BE INSTALLED ONLY ON THE UPPER BAKELITE STRIP



SECTION B-B

COPPER LINK 2mm. THICKNESS

**PG Pars Co.**  
CATHODIC PROTECTION SYSTEM  
8 Teriminds Bond Box



DATE	DRAWING No.	SHEET	REV.
		1	2

PGP-CP-TB-204

NO REVISION PERMITTED UNLESS APPROVED BY STANDARD ORGANIZATION