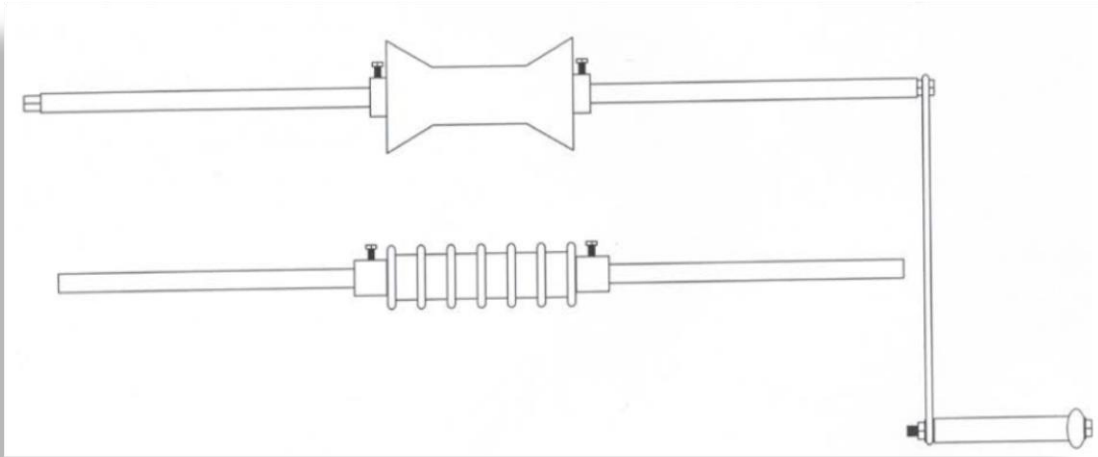




CATHODIC PROTECTION WELL HEAD ACCESSORIES



- 1- Steel Rod (1350mm Length / 25 mm Diameter / Approx. Weight:5.700 Kg)
- 2- Steel Rod (1250mm Length / 25 mm Diameter / Approx. Weight: 5.350 Kg)
- 3- Handle Rope Dram(Approx. Weight: 1.870 Kg)
- 4- Adjustable Stop Collar(Approx. Weight : 0.12 Kg)
- 5- Wooden Dram
- 6- Rope Dram(Approx. Weight : 4.840 Kg)



PG PARS CO

Corrosion control & Cathodic protection
شرکت پی جی پارس
(سهامی خاص) سیستم های حفاظت کاتدیک (طراحی، تولید و اجرا)

